

INDUSTRY

DISTRIBUTION
LOGISTICS

Compact.
Versatile.
Variable.



FIFO shelves.

KARL original.



Shelves for the **FIFO**-principle - what is fed first is also removed first.

Via inclined shelves, optionally supplemented with dividers and roller strips, containers move automatically from the loading side to the removal position. Material provision and value-adding assembly are mutually exclusive separated, mutual interference is avoided.

Due to the low-waste design of the workplace and a reduction of the picking distances results in considerable time savings.



Optimal and save space use of the available area.

Productivity is significantly increased according to the principles of lean production. Batches and production series can be optimally monitored, the risk of errors is reduced and the reduced by clear and compact material presentation.

At KARL of course:
An ESD-compliant design of the FIFO racks according to IEC 61340-5-1.





Detailed **Perfection.**

Material staging according to the FIFO principle.
Custom-made for the requirements of Lean Production.
Stable steel construction with high load capacity.

FIFO shelves can be attached at variable heights, depths and inclinations.
Dividers and roller strips can be added quickly and flexibly.

Ideal dimensions for the use of grab trays and Euronorm containers.
Quick changeover due to modular construction system, highest flexibility
and a wide range of expansion options.



Optional in ESD version according to IEC 61340-5-1.



FIFO-shelves

KARL original.

Content

FIFO shelf	6	FIFO-CAR with 2 vertical struts	14
Basic shelf	7	Base frame with castors	15
FIFO storage	7	Base frame with floor gliders	15
Dividers	8	FIFO storage	15
ESD roller tracks	8	Dividers	16
ESD swivel castors	8	ESD roller tracks	16
Table range SINTRO	9	FIFO-CAR with 4 vertical struts	17
SINTRO base frame	9	Base frame	17
Worktop	9	FIFO-Ablage	18
Cross connection for table construction	9	Dividers	18
Vertical strut	9	ESD roller tracks	18
FIFO add-on shelf for SINTRO table system	10	Handle	18
Add-on shelf	10	FIFO rack for increased loads	19
FIFO storage	11	Basic shelf	20
Dividers	11	Transferfachboden	20
ESD roller tracks	11	Extension shelf	21
Return	12	Inclining shelf	21
Shelf for return on table frame	13	Extension set	21
Shelf for return on FIFO add-on shelf	13	Equipment	24
ESD roller tracks	13	Slide	24
		Support rail with bracket for TFT monitor	24
		Multifunction arm VARIO	25
		Parts container	25
		Euronorm container	25

FIFO shelf

- for material staging according to the FIFO principle
- all metal parts conductive powder-coated, light grey (RAL 7035)
- standard ESD-compliant due to exclusive use conductive materials
- height compensation elements for levelling uneven floors



Basic shelf

- vertical struts with grid perforation
- D = 750 mm, H = 1990 mm
- load capacity: 500 kg
- height compensation elements for levelling uneven floors

W = 510 mm	68.529.70
W = 790 mm	68.531.70
W = 930 mm	68.533.70
W = 1230 mm	68.535.70



FIFO storage

- the FIFO storage can be connected to the height, depth and inclination variable vertical braces of the basic rack are bolted together
- with the help of a grid connection system, the shelf can optionally be roller tracks and / or dividers are fitted
- the dimensions are primarily designed for the use of grab trays and Euronorm containers
- load capacity / storage: 75 kg

for basic shelving W = 510 mm

W = 460 mm (clear dimension: 423 mm), D = 1270 mm (clear dimension: 1200 mm)	69.721.70
---	------------------



for basic shelving W = 790 mm

W = 680 mm (clear dimension: 645 mm), D = 1270 mm (clear dimension: 1200 mm)	69.723.70
---	------------------

for basic shelving W = 930 mm

W = 815 mm (clear dimension: 776 mm), D = 900 mm (clear dimension: 830 mm)	69.726.70
W = 815 mm (clear dimension: 776 mm), D = 1270 mm (clear dimension: 1200 mm)	69.725.70



for basic shelving W = 1230 mm

W = 1115 mm (clear dimension: 1076 mm), D = 900 mm (clear dimension: 830 mm)	69.728.70
W = 1115 mm (clear dimension: 1076 mm), D = 1270 mm (clear dimension: 1200 mm)	69.727.70

Dividers

- H = 55 mm
- Set (5 pieces)

for shelf D = 900 mm	69.962.70
for shelf D = 1270 mm	69.964.70



ESD roller tracks

- ESD roller tracks
- set (4 pieces)

for shelf D = 900 mm	69.972.70
for shelf D = 1270 mm	69.974.70



- stainless steel bracket (2 pieces) for mounting the roller tracks on the shelf (one set is required per shelf)

for shelf W = 460 mm	69.956.70
for shelf W = 680 mm	69.958.70
for shelf W = 815 mm	69.954.70
for shelf W = 1115 mm	69.952.70

ESD swivel castors

- 4 swivel castors (Ø 100 mm), 2 with brakes
- mounting on the base parts

	69.560.98
--	------------------



Table range SINTRO

SINTRO base frame

- sturdy tubular steel construction
- stepless height adjustment with clamping screws
- height adjustment elements in the foot section
- work surface can be loaded with 200 kg uniform surface load

W x D in mm	930 x 750	1230 x 750	1530 x 750
Standard	25.003.70	25.005.70	25.025.70
ESD	26.003.70	26.005.70	26.025.70



Worktop

- light grey worktop (RAL 7035), 27 mm thick
- all round with hard-wearing edge banding
- very hard and abrasion-resistant HPL laminate
- surface slightly structured and glare-free, highly scratch-resistant

W x D in mm	930 x 750	1230 x 750	1530 x 750
Hard laminate	25.903.88	25.900.88	25.904.88
ESD-Hard laminate	25.903.89	25.900.89	25.904.89



Cross connection for table construction

- Cross connection on the table frame for mounting vertical struts
- D = 38 mm, H = 160 mm

for table width 930 mm	29.129.70
for table width 1230 mm	29.130.70
for table width 1530 mm	29.132.70



Vertical strut

- stable rectangular steel tube with grid perforation for variable height adaptation of table extension elements and multifunctional arm VARIO
- Mounting on the cross connection
- W = 40 mm, D = 60 mm

H = 1990 mm, usable height above table top: 1425 mm	29.120.70
---	------------------



FIFO add-on shelf for SINTRO table system

- for material staging according to the FIFO principle
- all metal parts conductive powder-coated, light grey (RAL 7035)
- standard ESD-compliant due to exclusive use conductive materials
- height compensation elements for levelling uneven floors



Add-on shelf

- vertical struts with grid perforation
- D = 750 mm, H = 1990 mm
- load capacity: 500 kg

W = 930 mm, for table width 930 mm	68.433.70
W = 1230 mm, for table width 1230 mm and 1530 mm	68.435.70



FIFO storage

- the FIFO storage can be connected to the height, depth and inclination variable vertical braces of the basic rack are bolted together
- with the help of a rastered plug-in system, the shelf can optionally be fitted with roller tracks and / or dividers
- the dimensions are primarily designed for the use of parts containers and Euronorm containers
- load capacity / storage: 75 kg



for add-on shelving W = 930 mm

W = 815 mm (clear dimension: 776 mm), D = 830 mm (clear dimension)	69.726.70
W = 815 mm (clear dimension: 776 mm), D = 1200 mm (clear dimension)	69.725.70

for add-on shelving W = 1230 mm

W = 1115 mm (clear dimension: 1076 mm), D = 830 mm (clear dimension)	69.728.70
W = 1115 mm (clear dimension: 1076 mm), D = 1200 mm (clear dimension)	69.727.70

Dividers

- H = 55 mm
- set (5 pieces)

for shelf T = 830 mm	69.962.70
for shelf T = 1200 mm	69.964.70



ESD roller tracks

- set (4 pieces)

for shelf D = 830 mm	69.972.70
for shelf D = 1200 mm	69.974.70

- Stainless steel bracket (2 pieces) for mounting the roller tracks on the shelf (one set is required per shelf)

for W = 460 mm	69.956.70
for W = 680 mm	69.958.70
for W = 815 mm	69.954.70
for W = 1115 mm	69.952.70



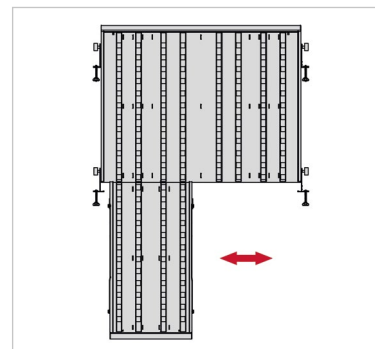
Return for SINTRO table system and FIFO add-on shelf



- the ergonomically designed return consists of 2 shelves, each with an upstand on one side



- a shelf is attached to the table frame and, depending on the width of the table, can also be moved continuously horizontally below the work surface
- a shelf is attached to the FIFO add-on shelf
- D = 900 mm (clear dimension: 836 mm)



- the shelves are continuously adjustable in inclination
- with a gridded plug-in system, the return can optionally be equipped with roller tracks



Shelf for return on table frame

- with upstand on one side
- D = 900 mm (clear dimension 836 mm)
- for all table widths

W = 460 mm (clear dimension 423 mm)	69.821.70
W = 680 mm (clear dimension 645 mm)	69.823.70



ESD roller tracks

- set (4 pieces)

for shelf D = 900 mm	69.972.70
----------------------	------------------

- stainless steel bracket (2 pieces) for mounting the roller tracks on the shelf (one set is required per shelf)

for W = 460 mm	69.946.70
for W = 680 mm	69.948.70



Shelf for return on FIFO add-on shelf

- with upstand on one side
- D = 900 mm (clear dimension 836 mm)

W = 815 mm (clear dimension: 776 mm), for base shelf W = 930 mm	69.826.70
W = 1115 mm (clear dimension: 1076 mm), for base shelf W = 1230 mm	69.828.70



ESD roller tracks

- set (4 pieces)

for shelf D = 900 mm	69.972.70
----------------------	------------------

- stainless steel bracket (2 pieces) for mounting the roller tracks on the shelf (one set is required per shelf)

für W = 815 mm	69.944.70
für W = 1115 mm	69.942.70



FIFO-CAR with 2 vertical struts

- for material supply according to the FIFO principle
- all metal parts conductive powder-coated, light grey (RAL 7035)
- ESD-compliant as standard through exclusive use of conductive materials



Base frame

- sturdy tubular steel construction
- optionally with 4 swivel castors (Ø 100 mm, 2 lockable) or with 4 floor glides
- vertical braces with grid perforation
- D = 870 mm, H = 1600 mm
- incl. base tray for holding Euronorm containers
- load capacity: 200 kg

Base frame with castors

W = 570 mm	68.228.70
W = 790 mm	68.230.70



Base frame with floor gliders

W = 570 mm	68.328.70
W = 790 mm	68.330.70



FIFO storage

- the shelf can be adjusted in height, depth and inclination between the vertical struts of the base frame
- with the aid of a rasterised plug-in system, the shelf can be optionally with roller rails and / or dividers
- the dimensions are primarily designed for the use of gripping trays and Euronorm containers
- load capacity / shelf: 50 kg

- W = 460 mm (clear dimension: 423 mm), suitable for base frame W = 570 mm

D = 700 mm (clear dimension: 630 mm)	69.521.70
D = 900 mm (clear dimension: 830 mm)	69.523.70



- W = 680 mm (clear dimension: 645 mm), suitable for base frame W = 790 mm

D = 700 mm (clear dimension: 630 mm)	69.525.70
D = 900 mm (clear dimension: 830 mm)	69.527.70



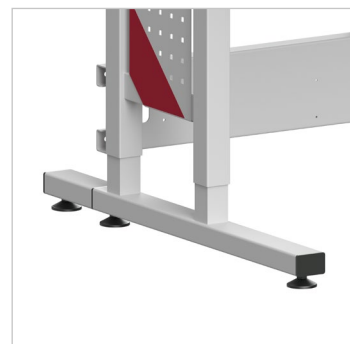
Attachment to the SINTRO table

- the FIFO tray 69.525.70 (D = 700 mm) can optionally be also be adapted directly to the SINTRO table

Vertical strut	29.122.70
----------------	------------------



Foot extension of the table frame	39.970.70
-----------------------------------	------------------



Dividers

- H = 55 mm
- Set (5 pieces)

for storage D = 700 mm	69.960.70
for storage D = 900 mm	69.962.70



ESD roller tracks

- ESD roller tracks

Set ESD roller tracks (4 pieces) for D = 700 mm	69.970.70
Set ESD roller tracks (4 pieces) for D = 900 mm	69.972.70

- Stainless steel bracket (2 pieces) for fastening of the roll bars to the shelf (one set is required per shelf)

for W = 460 mm	69.956.70
for W = 680 mm	69.958.70



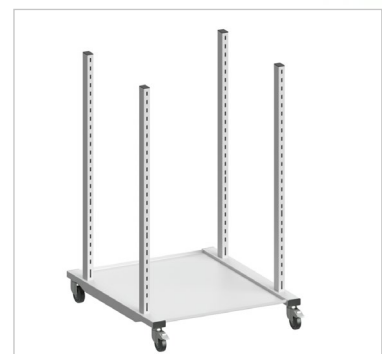
FIFO-CAR with 4 vertical struts

- for material supply according to the FIFO principle
- all metal parts conductively powder-coated, light grey (RAL 7035)
- ESD-compatible as standard due to the use of conductive materials only



Base frame

- sturdy tubular steel construction
- with 4 swivel castors (Ø 100 mm, 2 lockable)
- vertical braces with grid perforation
- 930 x 1050 x 1600 mm (W x D x H)
- incl. base tray for holding Euronorm containers
- load capacity: 200 kg



Base frame with castors

68.432.70

FIFO-Ablage

- the shelf can be screwed to the vertical struts of the base frame
- vertical struts of the basic frame
- with the aid of a rasterised plug-in system, the shelf can be optionally with roller rails and / or dividers.
- the dimensions are primarily designed for the use of gripping trays and Euronorm containers
- load capacity / shelf: 75 kg
- W = 815 mm (clear dimension: 776 mm)

D = 1200 mm (clear dimension)

69.725.70



Dividers

- H = 55 mm
- set (5 pieces)

for storage D = 1200 mm

69.964.70



ESD roller tracks

- ESD roller tracks

set ESD roller tracks (4 pieces) for D = 1200 mm

69.974.70

- stainless steel bracket (2 pieces) for fastening of the roll bars to the shelf (one set is required per shelf)

for W = 815 mm

69.954.70



Handle

- for side mounting on the vertical struts
- colour: black
- 30 x 50 x 173 mm (W x D x H)

69.950.70



FIFO rack for increased loads

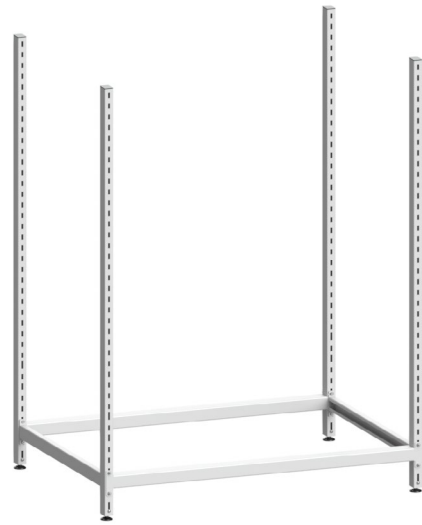


Basic shelf

- tubular steel construction, conductive powder-coated, light grey (RAL 7035)
- vertical braces with two-sided grid perforation for height and inclination of the transfer shelves
- 1503 x 1225 x 1990 mm (WxDxH)
clear width: 1420 mm
- height adjustment elements for levelling floor unevenness
- load capacity: 1000 kg

Included in delivery:

- 4 vertical braces with grid perforation
- 2 cross connections
- 2 longitudinal connections



freistehendes Grundregal

57.270.70

Transferfachboden

- the transfer shelf can be hooked into the shelf with variable height, depth and inclination
- the transfer shelf is variably equipped with roller strips and dividers by means of a rastered plug-in system
- clear width: 1360 mm, clear depth: 1200 mm
- the dimensions of the transfer shelf are designed primarily for the use of Euronorm containers
- both in width and depth, it offers room, for example, for
 - 3 container 400 x 300 mm
 - 4 container 300 x 400 mm
 - 2 container 600 x 400 mm
- load capacity / shelf: 250 kg

Included in delivery:

- 8 roller tracks
- 3 dividers
- 1 stop bar



Transfer shelf, standard

57.338.70

Transfer shelf, ESD version with conductive rollers

57.335.70

additional set of roller strips (4 pieces), standard

57.302.70

additional set of roller strips (4 pieces), ESD version

57.300.70

additional set of dividers (2 pieces)

57.310.70

Extension shelf

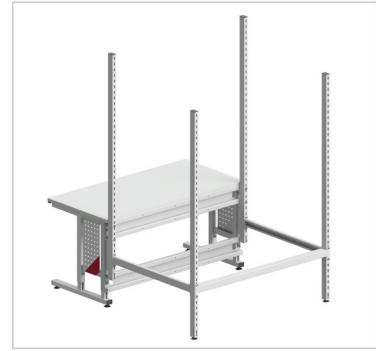
- the add-on shelving can be attached directly to the vertical struts of the SINTRO assembly table system
- suitable for table widths 1530 mm and 1830 mm
- 1503 x 1225 x 1990 mm (W x D x H)
- clear width: 1420 mm
- load capacity: 400 kg

Included in delivery:

- 2 vertical braces with grid perforation
- 2 cross connections
- 2 longitudinal joints

Add-on shelf for assembly table system SINTRO

57.275.70



Inclining shelf

- optionally, an inclinable shelf can be adapted to the transfer shelf to enable ergonomically optimal material removal
- D = 400 mm
- tilt angle can be adjusted up to 50° in a grid
- load capacity: 50 kg

Inclining shelf

57.352.70



Extension set

- by connecting 2 shelves, the throughput length can be doubled

Extension set for connecting 2 shelves

57.280.70



Ideal modular system.

In combination with the KARL programme transfer system, the FIFO racks form an ideal modular system for designing your material flow in production and assembly.





Detailed information on the SINTRO assembly table programme and on transfer systems can be found in the special sales documents or in the KARL general catalogue.

Equipment



Slide

- connecting piece to bridge height differences during transfer
- 800 x 750 mm (WxD)
- made of 3 mm stainless steel
- 2-part, can be slid into each other
- for lateral connection of SINTRO tables
- can be used in both directions



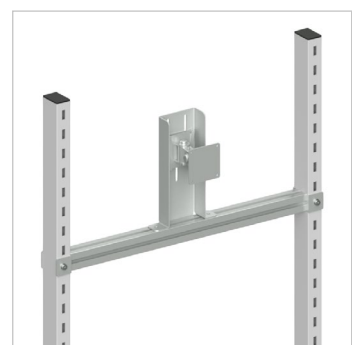
for table depth 750 mm	49.832.70
------------------------	------------------

Support rail with bracket for TFT monitor

- VESA standard (75 x 75 mm and 100 x 100 mm)
- horizontally steplessly positionable

for table width 930 mm	39.624.70
for table width 1230 mm	39.626.70
for table width 1530 mm und 1830 mm	39.628.70

additional holder for TFT monitor	39.680.70
-----------------------------------	------------------



Multifunction arm VARIO

■ The accessories of the SINTRO assembly table system and the VARIO table extension programme can be adapted to the FIFO shelves



Parts container

- System Schäfer, size 5
- 95 x 160 x 75 mm (WxDxH)

ESD-schwarz	rot	blau	grün
96.505.98	96.507.98	96.509.98	96.511.98



Euronorm container

- optionally in non-conductive polyethylene (red) or ESD-compliant in conductive polypropylene (black)

Standard

width x depth	height	
300 x 400 mm	120 mm	96.540.98
300 x 400 mm	170 mm	96.542.98
300 x 400 mm	220 mm	96.544.98
600 x 400 mm	120 mm	96.560.98
600 x 400 mm	170 mm	96.562.98
600 x 400 mm	220 mm	96.564.98
600 x 400 mm	320 mm	96.566.98



ESD

width x depth	height	
300 x 400 mm	120 mm	96.550.98
300 x 400 mm	170 mm	96.552.98
300 x 400 mm	220 mm	96.554.98
600 x 400 mm	120 mm	96.570.98
600 x 400 mm	170 mm	96.572.98
600 x 400 mm	220 mm	96.574.98
600 x 400 mm	320 mm	96.576.98



The **KARL-product range.**

Optimal solutions require a precise analysis of the work processes.
KARL defines itself as a system supplier for modern, ergonomic workplace design.

The intensive cooperation and the qualified dialogue with our customers is the basis
for a tailor-made solution for your task.

We also take production-specific requirements and spatial conditions
like the individual needs of each employee into account.

We visualize functionality, ergonomics, handling and imple



QUADRO.
The workplace system for the highest demands.



QUADRO twin.
The classic table system with all options.



SINTRO.
The variable assembly workstation.

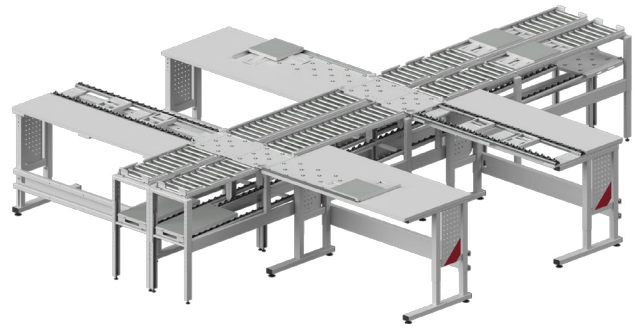


SINTRO pack.
The solution for packing stations.



BASIC.

The economic workplace system.



Transfer systems.



FIFO shelves.

The flexible material feed.



Deployment shelves.



Cupboard and shelf systems.



Measuring and testing technology.

Ergonomics.
Functionality.
Custom design.



Andreas KARL GmbH & Co. KG | Hauptstraße 26 | 85777 Fahrenzhausen | Deutschland
Telefon: +49 8133 17-0 | Telefax: +49 8133 17-11 | E-Mail: info@karl.eu | www.karl.eu