

More.
Efficiency.
Packing.



Sintro

Packing.

KARL original.



Versatile in use: SINTRO for **distribution and logistics**

Vertical strut with grid perforation

Individually: can be positioned horizontally on the table, to meet all ergonomic requirements optimally

Scale

Solid: Weighing platform flush integrated in the table top

Swivel and height adjustable shelf

Agile: three self-locking joints and a maximum swivel radius of 500 mm

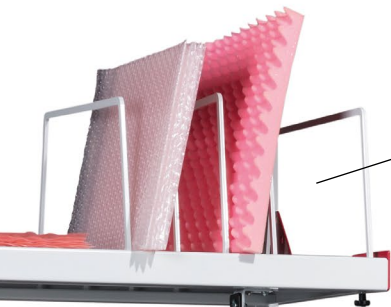
Integrated roller conveyor

Simple: for the quick handling of parcels and packages, individually positionable

Pull-out shelf

Practical: can be mounted above or below the work surface





Storage for cardboard boxes

Stable: made of solid sheet steel, with grid perforation for inserting separating brackets



Monitor holder

Convenient: rotatable and height adjustable with individually positionable keyboard and mouse holder



Multifunctional shelf

Flexible: with variable subdivisions, for example for hand dispensers and labels



Electric height adjustment

Ergonomic: for a perfect posture and for the sustainable reduction of health risks

KARL's packing tables: **individualized solutions** for all purposes

Height adjustable shelf

- made of solid sheet steel
- can be mounted horizontally or with 15 ° inclination
- 2 depths: 320 mm and 500 mm
- raster perforation for hanging dividers
- max. distributed load: 50 kg



Swivel and height adjustable shelf

- DIN A4 or DIN A3, e.g. for printers, documents and tools
- 2 slots for manual dispenser
- ergonomically optimal arrangement with 3 self-locking joints and maximum swivel radius of 500 mm
- max. distributed load: 25 kg



Keyboard holder

- can be mounted under the shelf
- inclined at a 45 ° angle
- horizontal mouse rest
- ideal for fast input



Integratable roller conveyor

- for easy handling of packages and parcels
- can be integrated into the work surface
- 400 mm track width, 30 mm roller diameter
- length and position on the work surface can be individually designed
- load capacity: up to 100 kg / running meter



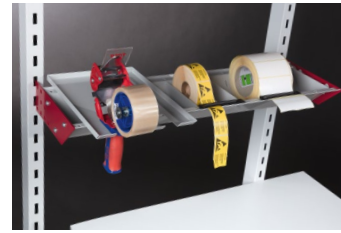
Extendable shelf

- can be mounted under or above the work surface
- 500 mm depth, 2 widths: 520 mm and 760 mm
- full extension with soft close
- raster perforation for divider bar
- max. distributed load: 25 kg



Multifunctional shelf

- 3 widths: 730 mm, 1160 mm, 1460 mm
- 6 flexibly adjustable dividers and 3 unrolling guides, for example to hold labels and hand dispensers



Monitor holder with keyboard and mouse rest

- VESA standard: 75 x 75 mm and 100 x 100 mm
- height adjustable with a swivel radius of 500 mm
- max. Flexibility due to the simple inclination and rotation of the monitor
- adjustable keyboard shelf
- extendable mouse tray



Cutting device and roll holder

- 3 widths: 730 mm, 1160 mm, 1460 mm
- individually positionable
- easily exchangeable knife cassettes (incl. circular knife and blade)
- clamping mechanism for easy insertion and secure gripping
- max. distributed load: 20 kg



Scale

- weighing platforms with various designs and weighing ranges
- mounting tray that can be integrated into the work surface
- swiveling and height-adjustable holder for display device
- legal-for-trade evaluation devices with stainless steel housing and LED display
- optionally with serial interface for EDP connection



ESD compliant construction

- compliant with IEC 61340-5-1
- volume conductive ESD table top
- all metal parts conductive powder coated
- central earthing point (EBP) and ESD connection box



Efficiency means to choose the **direct way**

KARL's workplace systems have proven themselves in industry for decades. Customers from a wide range of industries appreciate the ergonomic design, the durability and flexibility as well as the sophisticated technology and media integration. Both world market leaders and medium-sized companies rely on the great experience of the family company Andreas Karl GmbH & Co. KG from Fahrenzhau- sen near Munich.

The workstation system for shipping and logistics takes up all these advantages seamlessly - designed with the latest ergonomic features and, if required, in ESD-compliant design.

The system supplements value chains in a simple and uncomplicated way.

What is produced on a KARL table is also packed and shipped there. So everything comes from a single source. This is efficient and sustainably increases the productivity of your company.

Based on the SINTRO workstation system, the packing tables from KARL can be flexibly adapted to all individual requirements. The optional ESD protection also offers manufacturers of highly sensitive electronic assemblies reliable production conditions.

Trust the usual quality features of KARL: Modularity, flexibility and stability.

Table of contents

Work Bench	8	Transport trolley, W = 500 mm	13
Base frame	8	Board bar for shelves and transport trolleys	14
Base frame for increased loads	8	Divider	14
Height adjustable base frame with electric drive	9	Flat screen bracket	14
Height adjustable base frame with crank-handle	9	Monitor holder with keyboard shelf	14
Worktops	10	Hook-in keyboard shelf for storage board	15
Hard laminate (EN 438)	10	Power strip	15
Multiplex board natural beech	10	Multifunctional shelf	15
Hard PVC	11	Multi-purpose shelf for multi-function shelf	15
Conductive ESD Hard Laminate (EN 438)	11	Multipurpose tray with swivel arm VARIO	16
Table construction and add-on elements	12	Tray for papers DIN A3	16
Cross connection for table construction	12	Hinged waste bin	16
Vertical strut	12	Roller conveyor	16
Bracket	12	Scale	17
Hook-in storage board, D = 320 mm	13	Hookable roll holder	17
Hook-in storage board, D = 500 mm	13	Cutting device	17
Extendable shelf, D = 500 mm	13	Lighting	17

Work Bench



- stable tubular steel construction
- continuously adjustable height from 740 to 1140 mm
- foot sections with additional height adjustment elements
- working area can be loaded with a uniform load of 200 kg

Base frame

- stepless height adjustment with clamping screws

W x D in mm	930 x 750	1230 x 750	1530 x 750	1830 x 750
standard	45.003.70	45.005.70	45.025.70	45.045.70
ESD	46.003.70	46.005.70	46.025.70	46.045.70

W x D in mm	930 x 900	1230 x 900	1530 x 900	1830 x 900
standard	45.002.70	45.006.70	45.026.70	45.046.70
ESD	46.002.70	46.006.70	46.026.70	46.046.70



Base frame for increased loads

- working surface can be loaded with a uniform load of 250 kg
- stepless height adjustment with clamping screws

W x D in mm	930 x 750	1230 x 750	1530 x 750	1830 x 750
standard	45.013.70	45.015.70	45.035.70	45.055.70
ESD	46.013.70	46.015.70	46.035.70	46.055.70



Height adjustable base frame with electric drive

- control via desk panel
- mains connection cable 5 m with Schuko plug

W x D in mm	930 x 750	1230 x 750	1530 x 750	1830 x 750
standard	45.203.70	45.205.70	45.225.70	45.245.70
ESD	46.203.70	46.205.70	46.225.70	46.245.70

W x D in mm	930 x 900	1230 x 900	1530 x 900	1830 x 900
standard	45.202.70	45.206.70	45.226.70	45.246.70
ESD	46.202.70	46.206.70	46.226.70	46.246.70

optional:

- height adjustment with 4 individually adjustable memory buttons
- in addition, the lowest and the highest position can be programmed and be approached directly

W x D in mm	930 x 750	1230 x 750	1530 x 750	1830 x 750
standard	45.303.70	45.305.70	45.325.70	45.345.70
ESD	46.303.70	46.305.70	46.325.70	46.345.70

W x D in mm	930 x 900	1230 x 900	1530 x 900	1830 x 900
standard	45.302.70	45.306.70	45.326.70	45.346.70
ESD	46.302.70	46.306.70	46.326.70	46.346.70



Height adjustable base frame with crank-handle

W x D in mm	930 x 750	1230 x 750	1530 x 750	1830 x 750
standard	45.103.70	45.105.70	45.125.70	45.145.70
ESD	46.103.70	46.105.70	46.125.70	46.145.70

W x D in mm	930 x 900	1230 x 900	1530 x 900	1830 x 900
standard	45.102.70	45.106.70	45.126.70	45.146.70
ESD	46.102.70	46.106.70	46.126.70	46.146.70



Worktops



Optional:

- two cutouts with lockable plastic cover for cable entry (Ø 80 mm)

Hard laminate (EN 438)

- light grey worktop (RAL 7035), 27 mm thickness
- all around with a resistant edge band
- very hard and abrasion-resistant HPL laminate
- surface slightly structured and glare-free, highly scratch-resistant
- heat-resistant for a short time up to 180 ° C
- resistant to organic solvents, weak acids and bases, petrol and oil

W x D in mm	930 x 750	1230 x 750	1530 x 750	1830 x 750
standard	25.903.88	25.900.88	25.904.88	25.906.88

W x D in mm	930 x 900	1230 x 900	1530 x 900	1830 x 900
standard	25.922.88	25.920.88	25.924.88	25.926.88



Multiplex board natural beech

- multi-layer glued beech board, 40 mm thickness
- with broken edges on all sides, without edge protection
- surface painted with clear varnish

W x D in mm	930 x 750	1230 x 750	1530 x 750	1830 x 750
standard	25.903.85	25.900.85	25.904.85	25.906.85

W x D in mm	930 x 900	1230 x 900	1530 x 900	1830 x 900
standard	25.922.85	25.920.85	25.924.85	25.926.85



Hard PVC

- gray 38 mm thick carrier plate plus 3 mm (RAL 7011)
- Fire class B1 according to DIN 4102 up to 4 mm thickness
- high resistance to acids, alkalis and salt solutions
- flame resistant, self-extinguishing after flame withdrawal

W x D in mm	930 x 750	1230 x 750	1530 x 750	1830 x 750
standard	25.903.84	25.900.84	25.904.84	25.906.84

W x D in mm	930 x 900	1230 x 900	1530 x 900	1830 x 900
standard	25.922.84	25.920.84	25.924.84	25.926.84



Conductive ESD Hard Laminate (EN 438)

- light grey worktop (RAL 7035), 27 mm thickness
- all around with a resistant edge band
- very hard and abrasion-resistant HPL laminate
- surface slightly structured and glare-free, highly scratch-resistant
- volume-conductive carrier plate
- Bleeder R_A 1×10^4 to 1×10^9 ohm
(dry measurement according to IEC 61340-5-1, 100 V)
- heat-resistant for a short time up to 180 °C
- resistant to organic solvents, weak acids and bases, petrol and oil

W x D in mm	930 x 750	1230 x 750	1530 x 750	1830 x 750
standard	25.903.89	25.900.89	25.904.89	25.906.89

W x D in mm	930 x 900	1230 x 900	1530 x 900	1830 x 900
standard	25.922.89	25.920.89	25.924.89	25.926.89



Other table top variants and table top dimensions on request.

Table construction and add-on elements

Cross connection for table construction

- cross connection on the table frame for mounting vertical struts
- D = 38 mm, H = 160 mm

for table width 930 mm	49.129.70
for table width 1230 mm	49.130.70
for table width 1530 mm	49.132.70
for table width 1830 mm	49.134.70



Vertical strut

- stable rectangular steel tube with grid perforation for variable height adaptation of table construction elements and multi-function arm VARIO
- installation on the cross connection
- W = 40 mm, D = 60 mm

H = 2110 mm	49.120.70
H = 1460 mm	49.122.70
H = 460 mm *	49.124.70

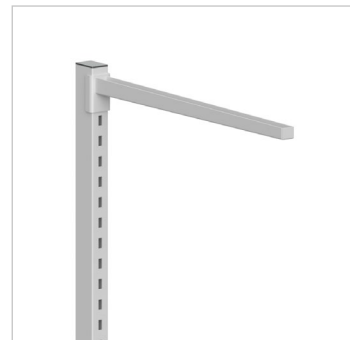
* for add-on elements below the work surface



Bracket

- to accommodate running tracks, linear luminaires etc.
- installation on the vertical struts
- optionally with colored decorative element

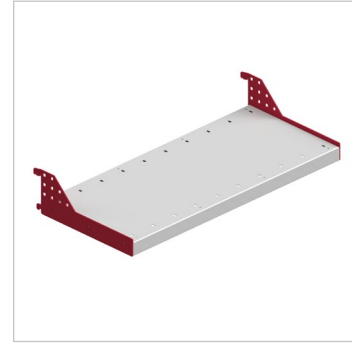
L = 650 mm	29.105.70
L = 850 mm	29.106.70



Hook-in storage board, D = 320 mm

- suspendable horizontally or with a 15° inclination
- with grid perforation for divider bracket
- max. distributed load: 50 kg

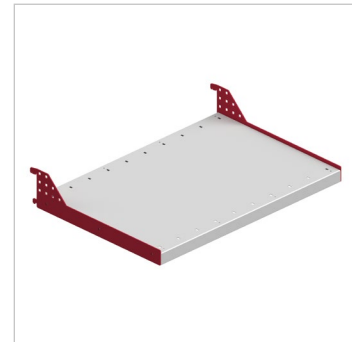
W = 488 mm	49.023.70
W = 731 mm	49.025.70
W = 1163 mm	49.027.70
W = 1463 mm	49.029.70



Hook-in storage board, D = 500 mm

- suspendable horizontally or with a 15° inclination
- with grid perforation for divider bracket
- max. distributed load: 50 kg

W = 488 mm	49.003.70
W = 731 mm	49.005.70
W = 1163 mm	49.007.70
W = 1463 mm	49.009.70



Extendable shelf, D = 500 mm

- full extension
- with grid perforation for divider bracket
- max. distributed load: 50 kg

W = 519 mm	49.013.70
W = 763 mm	49.015.70



Transport trolley, W = 500 mm

- with pull-out T-handlebar
- with raster perforation on both sides for divider
- 4 swivel castors, 2 with brakes
- max. distributed load: 50 kg

L = 731 mm	49.705.70
L = 1163 mm	49.707.70
L = 1463 mm	49.709.70



Board bar for shelves and transport trolleys

- 20 mm high board bar, mountable front and rear

W = 475 mm	49.600.70
W = 719 mm	49.602.70
W = 1150 mm	49.604.70
W = 1450 mm	49.606.70



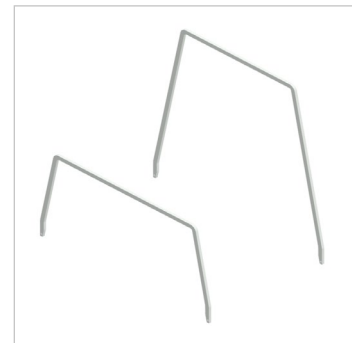
Divider

- for storage board D = 320 mm

190 mm high	49.050.70
380 mm high	49.052.70

- for storage board D = 500 mm und transport trolley

190 mm high	49.054.70
380 mm high	49.056.70



Flat screen bracket

- including multifunction arm
- VESA standard
- bracket can be swiveled +/- 90° and tilted +/- 15°

Flat screen bracket	39.610.70
---------------------	------------------



Monitor holder with keyboard shelf

- VESA standard
- monitor can be swiveled and tilted
- keyboard shelf individually adjustable in height and inclination
- extendable mouse tray, optionally left or right

Swivel arm with adapter	39.500.70
Bracket for monitor and keyboard	39.673.70



Hook-in keyboard shelf for storage board

- can be hooked in under storage board
- 45° inclined
- incl. horizontal mouse tray

for shelf 488 mm wide	49.170.70
for shelf 731 mm wide	49.172.70
for shelf 1163 mm wide	49.174.70
for shelf 1463 mm wide	49.176.70



Power strip

- for fixing socket strips at the vertical strut

Holder for power strip	39.682.70
5-way power strip	95.005.98
5-way power strip, Swiss version	95.004.98



Multifunctional shelf

- with variable divisions for labels, dispensers etc.
- 73 mm x 210 mm (H x D)

W = 731 mm	49.045.70
W = 1163 mm	49.047.70
W = 1463 mm	49.049.70



Multi-purpose shelf for multi-function shelf

- 2 slots for hand dispensers
- max. distributed load: 25 kg

DIN A4	49.143.70
DIN A3	49.145.70



Multipurpose tray with swivel arm VARIO

- 2 slots for manual dispenser
- max. distributed load: 25 kg

DIN A4	49.243.70
DIN A3	49.245.70



Tray for papers DIN A3

- mountable under the table top
- with 2 dividers for variable division into DIN A4 or DIN A5

Storage compartment DIN A3	49.156.70
----------------------------	------------------

optional:
mountable under the shelf (2 brackets required in each case)

bracket for storage 488 mm wide	49.017.70
bracket for storage 731 mm wide	49.018.70
bracket for storage 1163 mm wide	49.019.70
bracket for storage 1463 mm wide	49.020.70



Hinged waste bin

- 60 liter capacity
- 590 x 280 x 600 mm (W x D x H)
- incl. mounting bracket

for table depth 750 mm, standard	49.822.98
for table depth 750 mm, ESD	49.823.98
for table depth 900 mm, standard	49.820.98
for table depth 900 mm, ESD	49.821.98



Roller conveyor

- 400 mm track gauge
- can be integrated into the work surface, incl. mounting tray
- suitable for all table widths

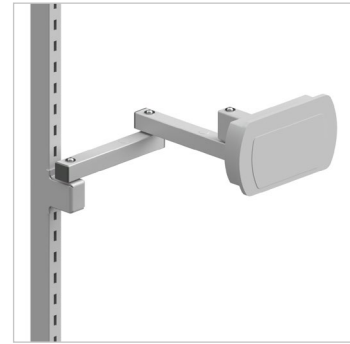
Module with W = 300 mm	49.840.98
Module with W = 500 mm	49.842.98



Scale

- different dimensions and designs

Scale	on request
Tray for weighing bridge	on request
Bracket for evaluation device	49.610.70



Hookable roll holder

- diameter of the roll: 30 mm
- max. distributed load: 20 kg

W = 731 mm	49.160.70
W = 1163 mm	49.162.70
W = 1463 mm	49.164.70



Cutting device

- various dimensions and designs
- individually positionable
- easily exchangeable knife cassettes (incl. circular knife and blade)

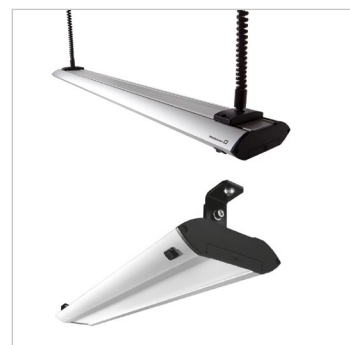
W = 1033 mm (cutting width: 750 mm)	49.180.70
W = 1283 mm (cutting width: 1000 mm)	49.182.70
W = 1533 mm (cutting width: 1250 mm)	49.184.70



Lighting

- different designs and mounting options (on outriggers or under shelf)

	on request
--	------------



optional:

factory assembly of the table	45.999.98
-------------------------------	------------------

The **KARL-product range.**

Optimal solutions require a precise analysis of the work processes.
KARL defines itself as a system supplier for modern, ergonomic workplace design.

The intensive cooperation and the qualified dialogue with our customers is the basis
for a tailor-made solution for your task.

We also take into account production-specific requirements and spatial conditions
like the individual needs of each employee into account.

We visualize functionality, ergonomics, handling and implementation of the spatial specifications
in a three-dimensional layout.



QUADRO.
The workplace system for the highest demands.



QUADRO twin.
The classic table system with all options.



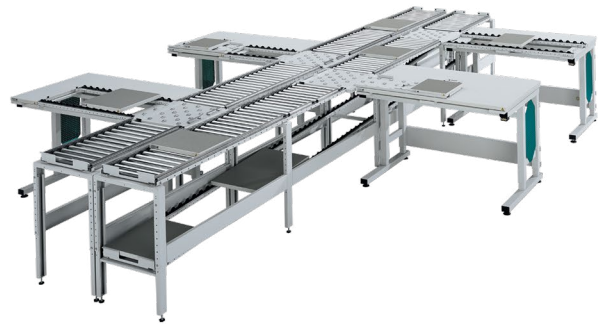
SINTRO.
Der variable Montagearbeitsplatz.



SINTRO pack.
The solution for packing stations.



BASIC. The economic workplace system.



Transfer systems.



FIFO shelves. The flexible material feed.



Deployment shelves.



Cupboard and shelf systems.



Measuring and testing technology.

Ergonomics.
Functionality.
Custom design.



Andreas KARL GmbH & Co. KG | Hauptstraße 26 | 85777 Fahrenzhausen | Germany
Phone: +49 8133 17-0 | Fax: +49 8133 17-11 | e-mail: info@karl.eu | www.karl.eu